

Possible applications include :



Swinging gate
accessories



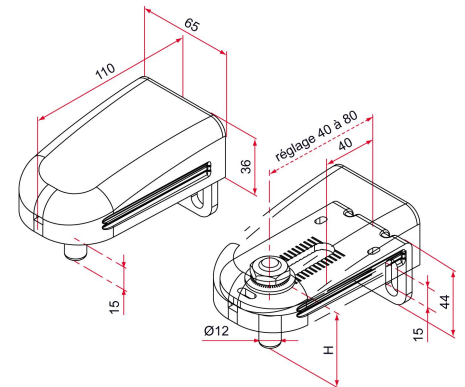
Features

- Hinge with zinc-plated + powder-coated steel base



Tip

- For other RAL colors, please consult us. Cdt /20: Packed in a carton, 1 bag of screws, 1 bag of 20 brackets, and 1 bag of 20 covers (for the covered version) + instructions.



Products to be ordered from :
TIRARD SAS 16, Avenue du Vimeu Vert Z.A. du Vimeu Industriel 80210
FEUQUIERES-EN-VIMEU
email : commande@tirard-burgaud.com



L-shaped flat hinge with composite casing - H.36 - adjustable from 40 to 80 - pivot Ø12, H.25

Possible applications include :



Swinging gate accessories



Référence	H	Finish	GENCOD 3661598	Condit. par	Délai j
NA592005	25	Noir	04471 4	20	7
NA591005	25	Blanc	04470 7	20	7

 Multi-RAL : specify your color when placing the order (<https://www.couleursral.fr/ral-classic>)