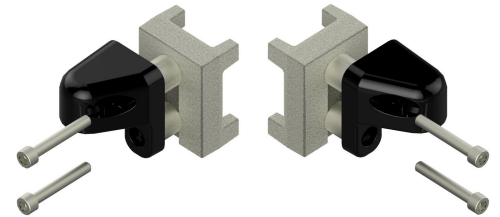


Possible applications include :



Swinging gate accessories



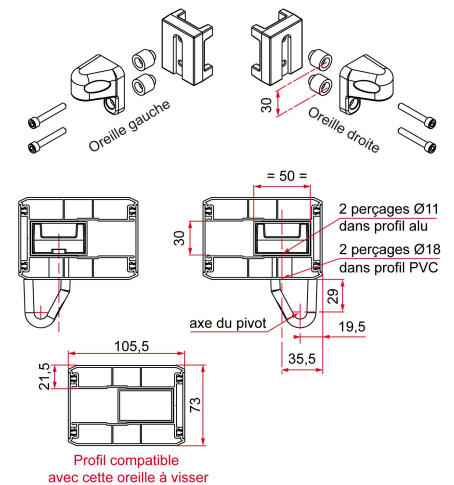
Features

- Aluminum ear Aluminum spacers and raw aluminum insert
- Composite anti-friction ring Ø12



Tip

- The screw-on ears with their fixing inserts are specific to certain integrated frame profiles on the market (please consult us). For a good hold of this joint on the leaf, it is imperative to install these ears with an insert in the integrated frame.

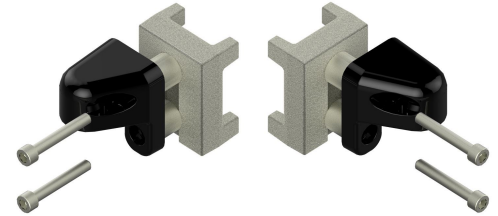


Products to be ordered from :
 TIRARD SAS 16, Avenue du Vimeu Vert Z.A. du Vimeu Industriel 80210
 FEUQUIERES-EN-VIMEU
 email : commande@tirard-burgaud.com

Possible applications include :



Swinging gate accessories



Référence	Ear	Finish	GENCOD 3661598	Condit. par	Délai j
NE692206	LEFT	9005-80%	04396 0	1	14
NE691206	LEFT	9016-80%	04395 3	1	14
NE625206	LEFT	1015-80%	04397 7	1	14
NE619206	LEFT	raw	04394 6	1	7
NE692106	RIGHT	9005-80%	04392 2	1	14
NE691106	RIGHT	9016-80%	04391 5	1	14
NE625106	RIGHT	1015-80%	04393 9	1	14
NE619106	RIGHT	raw	04390 8	1	7

 Multi-RAL : specify your color when placing the order (<https://www.couleursral.fr/ral-classic>)