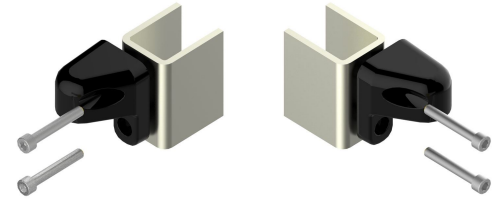


Possible applications include :



Swinging gate accessories



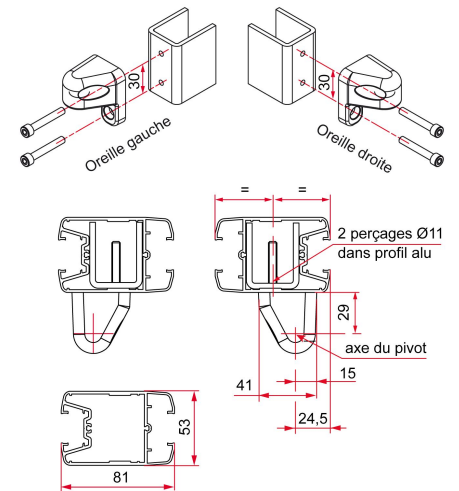
Features

- Aluminum ear Zinc-plated steel spacers and insert Ø12 composite anti-friction ring



Tip

- The screw-on ears with their fixing inserts are specific to certain integrated frame profiles on the market (please contact us). For a good hold of this joint on the leaf, it is imperative to install these ears with an insert in the integrated frame.

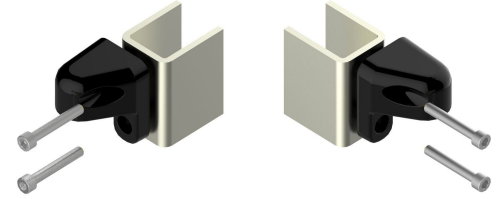


Products to be ordered from :
 TIRARD SAS 16, Avenue du Vimeu Vert Z.A. du Vimeu Industriel 80210
 FEUQUIERES-EN-VIMEU
 email : commande@tirard-burgaud.com

Possible applications include :



Swinging gate accessories



Référence	Ear	Finish	GENCOD 3661598	Condit. par	Délai j
NE692205	LEFT	9005-80%	04342 7	1	14
NE690205	LEFT	9010-30%	04341 0	1	14
NE692105	RIGHT	9005-80%	04340 3	1	14
NE690105	RIGHT	9010-30%	04339 7	1	14

 Multi-RAL : specify your color when placing the order (<https://www.couleursral.fr/ral-classic>)