

Possible applications include :

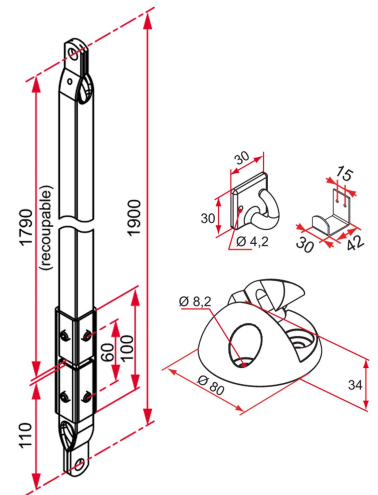


Swinging gate accessories



## Features

- 20x20 mm section. Sold with brass support, copper-aluminium hook, and ladybug housing.



Products to be ordered from :  
 TIRARD SAS 16, Avenue du Vimeu Vert Z.A. du Vimeu Industriel 80210  
 FEUQUIERES-EN-VIMEU  
 email : [commande@tirard-burgaud.com](mailto:commande@tirard-burgaud.com)



# Complete kit of adjustable stainless steel 304 bracing bar with hook and Coccinelle housing.

Possible applications include :



Swinging gate accessories



Référence	L	Finish	GENCOD 3661598	Condit. par	Délai j
QN492030	1900	9005-80%	04202 4	1	14
QN491030	1900	9016-80%	04201 7	1	14
QN401030	1900	raw	04203 1	1	7

 Multi-RAL : specify your color when placing the order (<https://www.couleursral.fr/ral-classic>)