

Possible applications include :

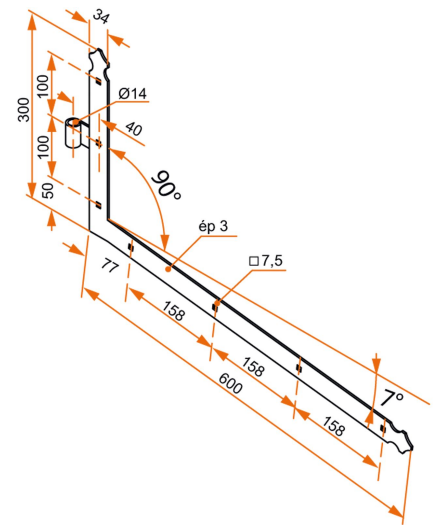


Swinging gate accessories



Features

- Made of steel



Products to be ordered from :
BURGAUD SAS 147, rue des Paludiers Z.I. des Mares 85270 SAINT-HILAIRE-DE-RIEZ
email : commande@tirard-burgaud.com



Square hinge with a 97° angle - festoon end - Ø14 - H.300xL.600 - 34x3 - square holes of 7.5 - 40mm offset

Possible applications include :



Swinging gate accessories



Référence	Mounting direction	Finish	GENCOD 3565920	Condit. par	Délai j
1PE92064G	LEFT	9005-30%	14347 5	600	21
1PE92064D	right	9005-30%	14346 8	600	21

 Multi-RAL : specify your color when placing the order (<https://www.couleursral.fr/ral-classic>)