

Possible applications include :



Garage door accessories



Wing shutter and louver accessories



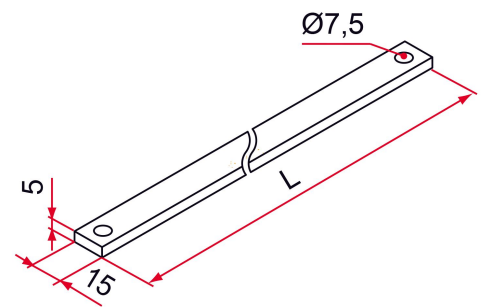
Features

- Drilled at each end. To be cut to size.



Tip

- For a height greater than 2.80 m, it is necessary to order 2 rods of 2.10 m each.



Products to be ordered from :
 TIRARD SAS 16, Avenue du Vimeu Vert Z.A. du Vimeu Industriel 80210
 FEUQUIERES-EN-VIMEU
 email : commande@tirard-burgaud.com

Possible applications include :



Garage door accessories



Wing shutter and louver accessories



Référence	L	Material	Finish	GENCOD 3661598	Condit. par	Délai j
CG310001	2100	aluminum	anodized	02070 1	5	7
CG310002	2250	aluminum	anodized	02071 8	5	7
CG310003	2500	aluminum	anodized	02072 5	5	7
CG111001	2100	steel	Zn	02066 4	5	7
CG111002	2250	steel	Zn	02067 1	5	7
CG111003	2500	steel	Zn	02068 8	5	7

 Multi-RAL : specify your color when placing the order (<https://www.couleursral.fr/ral-classic>)