

Possible applications include :



Wooden wing shutter accessories



PVC and Aluminum wing shutter accessories

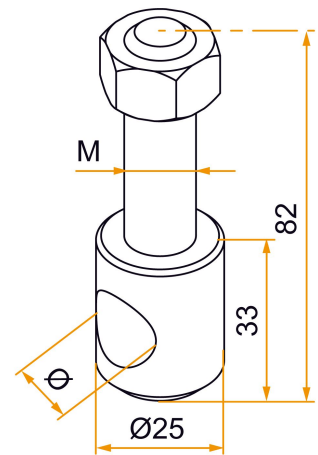


External thermal insulation



Features

- In steel. To be used for the installation of expansion dowel hinges or chemical hinge installation.



Products to be ordered from :  
BURGAUD SAS 147, rue des Paludiers Z.I. des Mares 85270 SAINT-HILAIRE-DE-RIEZ  
email : [commande@tirard-burgaud.com](mailto:commande@tirard-burgaud.com)

## Possible applications include :



Wooden wing shutter accessories



PVC and Aluminum wing shutter accessories



External thermal insulation



Référence	Ø	M	Finish	GENCOD 3565920	Condit. par	Délai j
1AC11028	8,5	14	Zn	16346 6	1	21
505060	16,5	14	Zn	02450 7	1	14
505070	16,5	16	Zn	02451 4	1	14
505062	18	14	Zn	10754 5	1	14
GDA013ZB	21,5	14	Zn	20092 5	1	14
GDA014ZB	21,5	16	Zn	20093 2	1	14

Multi-RAL : specify your color when placing the order (<https://www.couleursral.fr/ral-classic>)