

Possible applications include :



Garage door accessories



Rolling shutter accessories

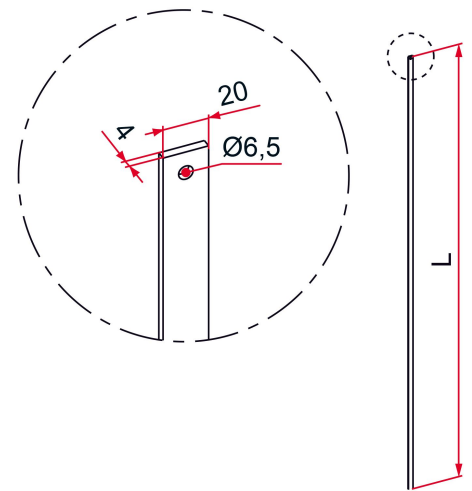


Wing shutter and louver accessories



Features

- Ø6.5 breakthrough at both ends Can be cut



Products to be ordered from :
 TIRARD SAS 16, Avenue du Vimeu Vert Z.A. du Vimeu Industriel 80210
 FEUQUIERES-EN-VIMEU
 email : commande@tirard-burgaud.com

Possible applications include :



Garage door accessories



Rolling shutter accessories



Wing shutter and louver accessories



| Référence | L | Finish | GENCOD 3661598 | Condit. par | Délai j |
|-----------|------|--------|-------------------|----------------|---------|
| CE112006 | 2100 | Zn | 00240 0 | 5 | 7 |
| CE112007 | 2250 | Zn | 00241 7 | 5 | 7 |
| CE112008 | 2500 | Zn | 00242 4 | 5 | 7 |

 Multi-RAL : specify your color when placing the order (<https://www.couleursral.fr/ral-classic>)