

Possible applications include :



Wooden wing shutter accessories



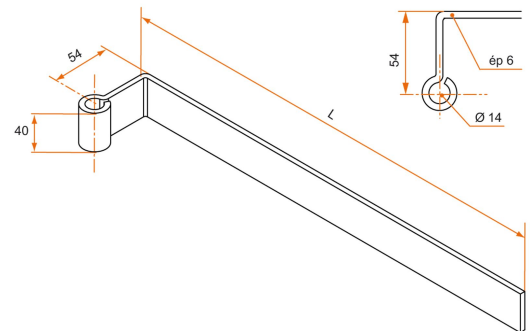
Features

- Made of steel



Tip

- "For Twin Hinges, please refer to the page "Hinges for Double Shutters" (See table of contents)"



Products to be ordered from :
BURGAUD SAS 147, rue des Paludiers Z.I. des Mares 85270 SAINT-HILAIRE-DE-RIEZ
email : commande@tirard-burgaud.com



Right angled hinge - square end - Ø14 - 40x6 - not drilled - C bending

Possible applications include :



Wooden wing shutter
accessories



Référence	L	Finish	GENCOD 3565920	Condit. par	Délai j
1PD92696	300	9005-30%	15350 4	12	21
1PD92697	350	9005-30%	15351 1	12	21
1PD92698	400	9005-30%	15352 8	12	21
1PD92699	450	9005-30%	15353 5	12	21
1PD92700	500	9005-30%	15362 7	6	21
1PD92701	550	9005-30%	15363 4	6	21
1PD92702	600	9005-30%	15364 1	6	21
1PD92703	650	9005-30%	15365 8	6	21
1PD92704	700	9005-30%	15366 5	6	21
1PD92705	800	9005-30%	15367 2	6	21
1PD92706	900	9005-30%	15368 9	6	21
1PD92707	1000	9005-30%	17618 3	6	21
1PD92708	1200	9005-30%	17619 0	3	21

 Multi-RAL : specify your color when placing the order (<https://www.couleursral.fr/ral-classic>)