

Possible applications include :



Garage door accessories



Wing shutter and louver accessories



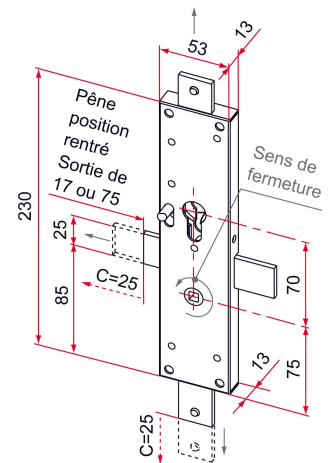
## Features

- Made of steel



### Tip

- The 3rd long point version is systematically delivered with the universal flat strike plate (ref.CE112001) to ensure guidance and retention. Please refer to the index.



Products to be ordered from :  
 TIRARD SAS 16, Avenue du Vimeu Vert Z.A. du Vimeu Industriel 80210  
 FEUQUIERES-EN-VIMEU  
 email : [commande@tirard-burgaud.com](mailto:commande@tirard-burgaud.com)

Possible applications include :



Garage door accessories



Wing shutter and louver accessories



Référence	No. and type of pin	Finish	GENCOD 3661598	Condit. par	Délai j
CE112207	2 points	Zn	00263 9	1	7
CE112211	3rd short point	Zn	00267 7	1	7
CE112209	3rd long point	Zn	00265 3	1	7

 Multi-RAL : specify your color when placing the order (<https://www.couleursral.fr/ral-classic>)