

Possible applications include :



PVC and Aluminum
wing shutter
accessories



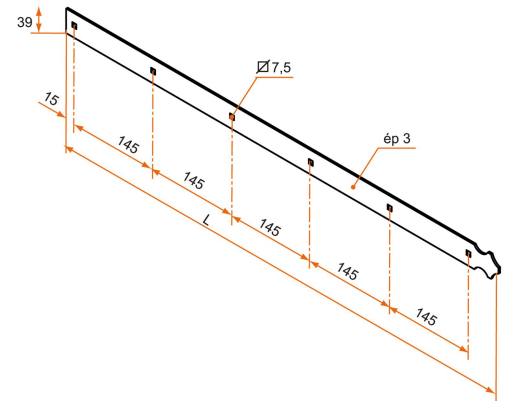
Features

- Aluminum



Tip

- The first hole counter-penture at 15 mm is recommended for shutters with a peripheral U width greater than or equal to 10 mm.



Products to be ordered from :
BURGAUD SAS 147, rue des Paludiers Z.I. des Mares 85270 SAINT-HILAIRE-DE-RIEZ
email : commande@tirard-burgaud.com



Right counter-hinge - festoon end - 39x3 - square holes at 7.5 - first hole at 15

Possible applications include :



PVC and Aluminum
wing shutter
accessories



Référence	L	No. of holes	Finish	GENCOD 3565920	Condit. par	Délai j
8000121G	215	2	9005-30%	10222 9	100	21
80001516G	215	2	9016-80%	10121 5	100	21
8000121GRAL	215	2		13515 9	1	21
8000221G	360	3	9005-30%	10118 5	100	14
80002516G	360	3	9016-80%	10122 2	100	21
8000221GRAL	360	3		13187 8	1	21
8000321G	505	4	9005-30%	10119 2	50	14
80003516G	505	4	9016-80%	10123 9	50	21
8000321GRAL	505	4		12267 8	1	21
8000421G	650	5	9005-30%	10223 6	50	14
80004516G	650	5	9016-80%	10124 6	50	21
8000421GRAL	650	5		13188 5	1	21
8000521G	795	6	9005-30%	10120 8	25	21
80005516G	795	6	9016-80%	10125 3	25	21
8000521GRAL	795	6		14581 3	1	21
8000621G	940	7	9005-30%	10172 7	25	21
80006516G	940	7	9016-80%	10173 4	25	21

Multi-RAL : specify your color when placing the order (<https://www.couleursral.fr/ral-classic>)