

Possible applications include :



PVC and Aluminum
wing shutter
accessories



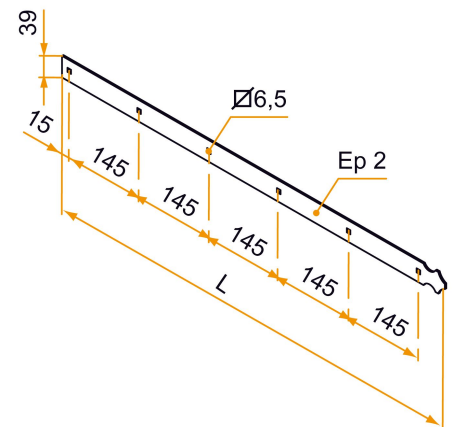
Features

- Aluminum



Tip

- The first hole counter-penture at 15 mm is recommended for shutters with a peripheral U width greater than or equal to 10 mm.



Products to be ordered from :
BURGAUD SAS 147, rue des Paludiers Z.I. des Mares 85270 SAINT-HILAIRE-DE-RIEZ
email : commande@tirard-burgaud.com



Right counter-hinge - festoon end - 39x2 - square holes of 6.5 - first hole at 15

Possible applications include :



PVC and Aluminum
wing shutter
accessories



Référence	L	No. of holes	Finish	GENCOD 3565920	Condit. par	Délai j
3PD92233	200	2	9005-30%	17884 2	100	21
3PD91255	200	2	9016-80%	17845 3	100	21
3PD92233RAL	200	2		17885 9	1	21
3PD92234	345	3	9005-30%	17886 6	100	21
3PD91256	345	3	9016-80%	17846 0	100	21
3PD92234RAL	345	3		17887 3	1	21
3PD92235	490	4	9005-30%	17888 0	100	21
3PD91257	490	4	9016-80%	17847 7	100	21
3PD92235RAL	490	4		17889 7	1	21
3PD92236	635	5	9005-30%	17890 3	50	21
3PD91258	635	5	9016-80%	17848 4	50	21
3PD92236RAL	635	5		17891 0	1	21
3PD92237	780	6	9005-30%	17892 7	50	21
3PD91259	780	6	9016-80%	17849 1	50	21
3PD92237RAL	780	6		17893 4	1	21
3PD92238	925	7	9005-30%	17894 1	50	21
3PD91260	925	7	9016-80%	17850 7	50	21
3PD92238RAL	925	7		17895 8	1	21
3PD92239	1070	8	9005-30%	17896 5	50	21
3PD91261	1070	8	9016-80%	17851 4	50	21
3PD92239RAL	1070	8		17897 2	1	21

Multi-RAL : specify your color when placing the order (<https://www.couleursral.fr/ral-classic>)