

Possible applications include :



Swinging gate accessories

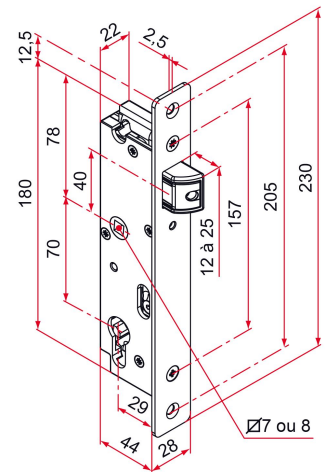


Features

- Composite lock case and 304 stainless steel faceplate. Reversible.



- For the colored versions, only the headplate is painted.



Products to be ordered from :
 TIRARD SAS 16, Avenue du Vimeu Vert Z.A. du Vimeu Industriel 80210
 FEUQUIERES-EN-VIMEU
 email : commande@tirard-burgaud.com

Possible applications include :



Swinging gate accessories



Référence	Square spindle	Finish	GENCOD 3661598	Condit. par	Délai j
GK492001	7	9005-80%	02962 9	1	7
GK491001	7	9016-80%	02961 2	1	14
GK401001	7	brush	02960 5	1	7
GK4XX001	7		04903 0	1	21
GK492011	8	9005-80%	02965 0	1	7
GK491011	8	9016-80%	02964 3	1	14
GK401011	8	brush	02963 6	1	7
GK4XX011	8		04904 7	1	21

Multi-RAL : specify your color when placing the order (<https://www.couleursral.fr/ral-classic>)