

Possible applications include :



Swinging gate accessories

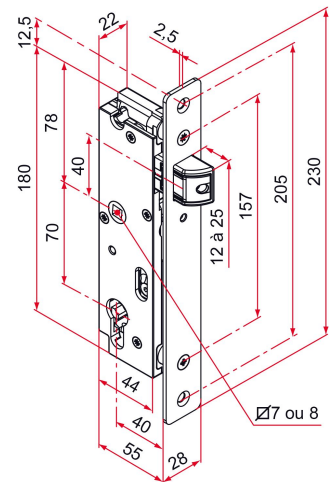


Features

- Composite lock case and 304 stainless steel faceplate.
Reversible.



- For the colored versions, only the headplate is painted.



Products to be ordered from :
TIRARD SAS 16, Avenue du Vimeu Vert Z.A. du Vimeu Industriel 80210
FEUQUIERES-EN-VIMEU
email : commande@tirard-burgaud.com



GK lock with recessed bolt - 40mm axis - square faceplate - flush-mounted

Possible applications include :



Swinging gate accessories



Référence	Square spindle	Finish	GENCOD 3661598	Condit. par	Délai j
GK492002	7	9005-80%	02968 1	1	7
GK491002	7	9016-80%	02967 4	1	14
GK401002	7	brush	02966 7	1	7
GK4XX002	7		04905 4	1	21
GK492012	8	9005-80%	02971 1	1	7
GK491012	8	9016-80%	02970 4	1	14
GK401012	8	brush	02969 8	1	7
GK4XX012	8		04906 1	1	21

Multi-RAL : specify your color when placing the order (<https://www.couleursral.fr/ral-classic>)