

Possible applications include :



Swinging gate accessories

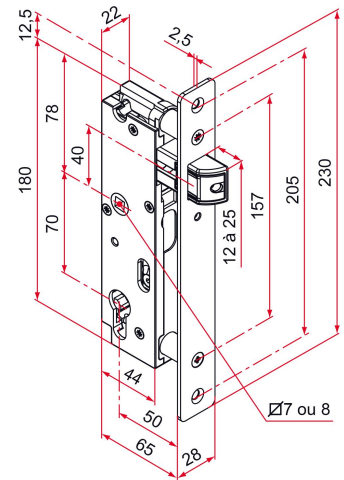


## Features

- Composite lock case and 304 stainless steel faceplate.  
Reversible.



- For the colored versions, only the headplate is painted.



Products to be ordered from :  
TIRARD SAS 16, Avenue du Vimeu Vert Z.A. du Vimeu Industriel 80210  
FEUQUIERES-EN-VIMEU  
email : [commande@tirard-burgaud.com](mailto:commande@tirard-burgaud.com)

Possible applications include :



Swinging gate accessories



Référence	Square spindle	Finish	GENCOD 3661598	Condit. par	Délai j
GK492003	7	9005-80%	02974 2	1	7
GK491003	7	9016-80%	02973 5	1	14
GK401003	7	brush	02972 8	1	7
GK4XX003	7		04907 8	1	21
GK492013	8	9005-80%	02977 3	1	7
GK491013	8	9016-80%	02976 6	1	14
GK401013	8	brush	02975 9	1	7
GK4XX013	8		04908 5	1	21

 Multi-RAL : specify your color when placing the order (<https://www.couleursral.fr/ral-classic>)