

Possible applications include :



Swinging gate accessories



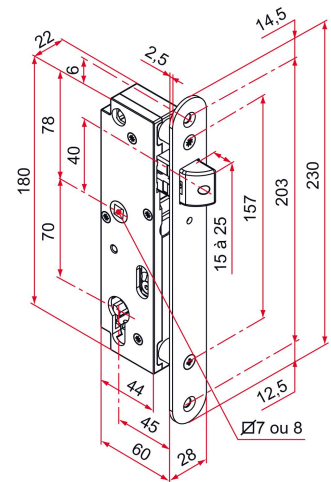
Features

- Composite lock case and 304 stainless steel faceplate. Reversible.



Tip

- For the colored versions, only the headplate is painted. To be able to mount the stops on the lock, add M5 at the end of the code.



Products to be ordered from :
 TIRARD SAS 16, Avenue du Vimeu Vert Z.A. du Vimeu Industriel 80210
 FEUQUIERES-EN-VIMEU
 email : commande@tirard-burgaud.com



GK lock with composite recessed bolt - 45mm axis - round strike plate - recessed installation.

Possible applications include :



Swinging gate accessories



| Référence | Square spindle | Finish | GENCOD 3661598 | Condit. par | Délai j |
|--------------|----------------|----------|-------------------|----------------|---------|
| GK492006PCTP | 7 | 9005-80% | 04626 8 | 1 | 7 |
| GK491006PCTP | 7 | 9016-80% | 04625 1 | 1 | 14 |
| GK401006PCTP | 7 | brush | 04624 4 | 1 | 7 |
| GK4XX006PCTP | 7 | | 04627 5 | 1 | 21 |
| GK492016PCTP | 8 | 9005-80% | 04630 5 | 1 | 7 |
| GK491016PCTP | 8 | 9016-80% | 04629 9 | 1 | 14 |
| GK401016PCTP | 8 | brush | 04628 2 | 1 | 7 |
| GK4XX016PCTP | 8 | | 04631 2 | 1 | 21 |

Multi-RAL : specify your color when placing the order (<https://www.couleursral.fr/ral-classic>)