

Possible applications include :



Swinging gate accessories



Features

- Adjustable and reversible latch. Supplied with cylinder screws and fixing screws.

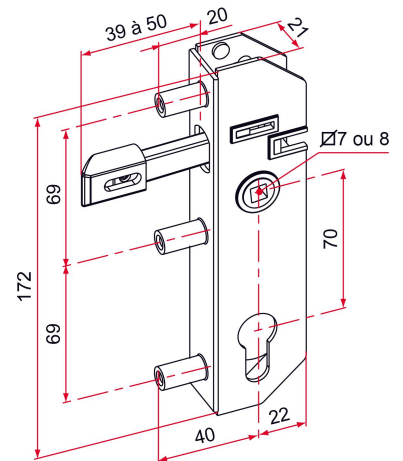


Tip

- For use with an electric strike, add E at the end of the code.

ATTENTION

- Latch and strike plate to be ordered separately.



Products to be ordered from :
 TIRARD SAS 16, Avenue du Vimeu Vert Z.A. du Vimeu Industriel 80210
 FEUQUIERES-EN-VIMEU
 email : commande@tirard-burgaud.com



GJ lock with recessed bolt - 40mm axis - to be recessed

Possible applications include :



Swinging gate accessories



Référence	Square spindle	Finish	GENCOD 3661598	Condit. par	Délai j
GJ701303	7	Zn	00526 5	1	7
GJ701306	8	Zn	00948 5	1	7

 Multi-RAL : specify your color when placing the order (<https://www.couleursral.fr/ral-classic>)