

Possible applications include :



Garage door accessories



Wing shutter and louver accessories



Common accessories for gates



Menuiserie et agencement



Features

- Adhesive provided

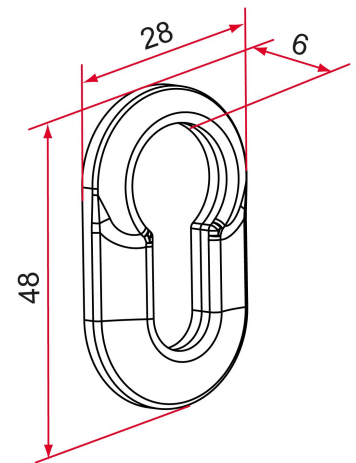


Tip

- To ensure proper adhesion of the adhesive to the substrate, the surface must be maximized. It is therefore imperative to create machining shapes adapted to the passage of the cylinder and the handle.

ATTENTION

- Adhesive compatible with lacquered surfaces containing PTFE (Teflon). However, it is recommended to perform compatibility tests with your surface to validate proper adhesion.



Products to be ordered from :
 TIRARD SAS 16, Avenue du Vimeu Vert Z.A. du Vimeu Industriel 80210
 FEUQUIERES-EN-VIMEU
 email : commande@tirard-burgaud.com

Possible applications include :



Garage door accessories



Wing shutter and louver accessories




Common accessories for gates



Menuiserie et agencement



Référence	Finish	GENCOD 3661598	Condit. par	Délai j
JA792101SAT30	9005-30%	04670 1	10	7
JA792101	9005-80%	04669 5	10	14
JA791101	9016-80%	04671 8	10	7
JA701101MET	metal color	04869 9	10	14
JA7XX101		04672 5	1	21

 Multi-RAL : specify your color when placing the order (<https://www.couleursral.fr/ral-classic>)