

Possible applications include :



Garage door accessories



Wing shutter and louver accessories



Common accessories for gates



Menuiserie et agencement



Features

- Adhesive provided Friction ring

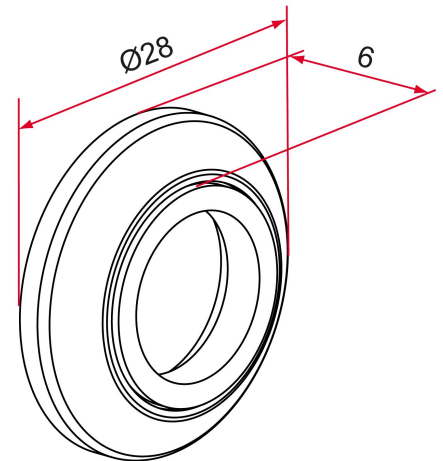


Tip

- To ensure proper adhesion of the adhesive to the substrate, the surface must be maximized. It is therefore imperative to create the appropriate machining shapes for the passage of the cylinder and the handle.

ATTENTION

- Adhesive compatible with lacquered surfaces containing PTFE (Teflon). However, it is recommended to perform compatibility tests with your surface to validate proper adhesion.



Products to be ordered from :
 TIRARD SAS 16, Avenue du Vimeu Vert Z.A. du Vimeu Industriel 80210
 FEUQUIERES-EN-VIMEU
 email : commande@tirard-burgaud.com

Possible applications include :



Garage door accessories



Wing shutter and louver accessories




Common accessories for gates



Menuiserie et agencement



Référence	Finish	GENCOD 3661598	Condit. par	Délai j
JA792001SAT30	9005-30%	04664 0	10	7
JA792001	9005-80%	04663 3	10	14
JA791001	9016-80%	04665 7	10	14
JA701001MET	metal color	04868 2	10	14
JA7XX001		04666 4	1	21

 Multi-RAL : specify your color when placing the order (<https://www.couleursral.fr/ral-classic>)