

Possible applications include :



Swinging gate accessories



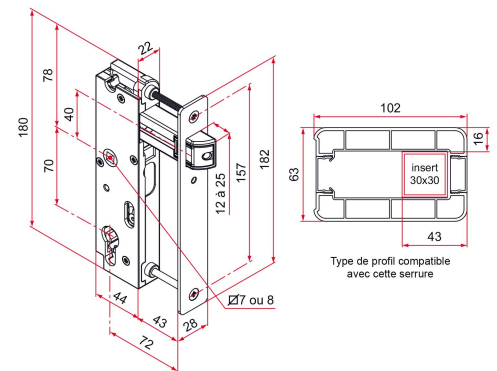
Features

- Composite lock case and 304 stainless steel strike plate. Reversible.



Tip

- For the colored versions, only the headplate is painted.



Products to be ordered from :
 TIRARD SAS 16, Avenue du Vimeu Vert Z.A. du Vimeu Industriel 80210
 FEUQUIERES-EN-VIMEU
 email : commande@tirard-burgaud.com



GK lock with recessed bolt zamak - 72mm axis - square faceplate - for 30x30 frame - recessed

Possible applications include :



Swinging gate accessories



Référence	Square spindle	Finish	GENCOD 3661598	Condit. par	Délai j
GK492108	7	9005-80%	03557 6	1	7
GK491108	7	9016-80%	03556 9	1	14
GK401108	7	brush	03555 2	1	7
GK4XX108	7		04914 6	1	21
GK492118	8	9005-80%	03560 6	1	7
GK491118	8	9016-80%	03559 0	1	14
GK401118	8	brush	03558 3	1	7
GK4XX118	8		04915 3	1	21

Multi-RAL : specify your color when placing the order (<https://www.couleursral.fr/ral-classic>)