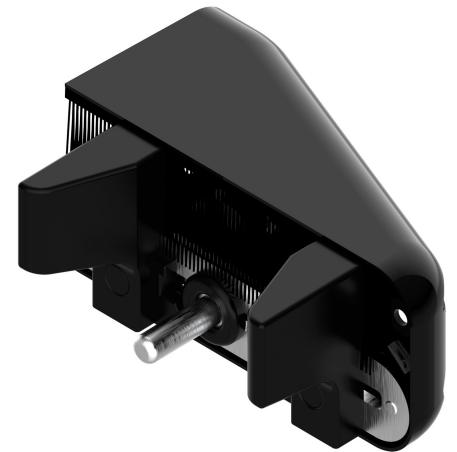


Possible applications include :

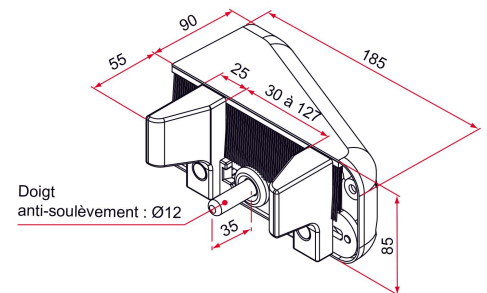


Sliding gate



Features

- Reversible rubber drain covers to prevent markings or scratches on the gate. Anti-lifting finger. 5mm stainless steel bracket. Zamak cover. Black nylon brush to protect the opening of the housing. For wooden, PVC or aluminum gates with a thickness of 30 to 120 mm (adjustable drain covers).

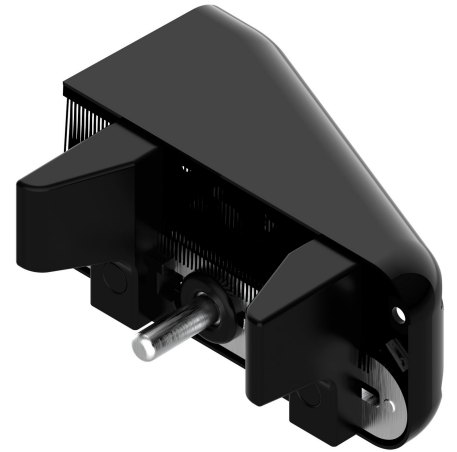



Products to be ordered from :
 TIRARD SAS 16, Avenue du Vimeu Vert Z.A. du Vimeu Industriel 80210
 FEUQUIERES-EN-VIMEU
 email : commande@tirard-burgaud.com

Possible applications include :



Sliding gate



Référence	Finish	GENCOD 3661598	Condit. par	Délai j
NN792001CM	9005-80%	04576 6	3	7
NN791001CM	9016-80%	04577 3	3	7
NN7XX001CM		04622 0	1	21

 Multi-RAL : specify your color when placing the order (<https://www.couleursral.fr/ral-classic>)