

Possible applications include :



Swinging gate accessories



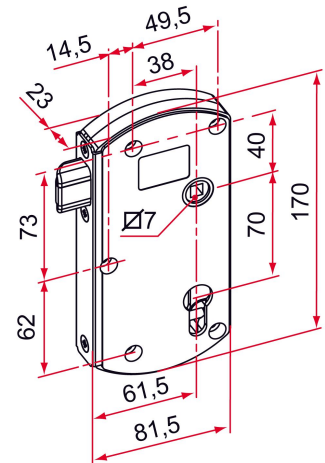
## Features

- Composite lock case Adjustable bolt Supplied with stainless steel fixing screws Screw caps Stainless steel faceplate Optimized bolt shape for smoother operation



### Tip

- Dressing accessories for this lock: - ABS monobloc housing - Zamak housing and zamak trim For fixing on stainless steel frame (metric thread screws), add M at the end of the code.



Products to be ordered from :  
 TIRARD SAS 16, Avenue du Vimeu Vert Z.A. du Vimeu Industriel 80210  
 FEUQUIERES-EN-VIMEU  
 email : [commande@tirard-burgaud.com](mailto:commande@tirard-burgaud.com)



## Modulox lock with recessed bolt surface-mounted

Possible applications include :



Swinging gate accessories



| Référence | Finish | GENCOD<br>3661598 | Condit.<br>par | Délai j |
|-----------|--------|-------------------|----------------|---------|
| GB592001  | black  | 01394 9           | 1              | 7       |
| GB591001  | white  | 01393 2           | 1              | 7       |

 Multi-RAL : specify your color when placing the order (<https://www.couleursral.fr/ral-classic>)