

Possible applications include :



Swinging gate accessories



Features

- Composite lock case Screw caps Anti-lifting finger 2 available bolt lengths Supplied with stainless steel fixing screws

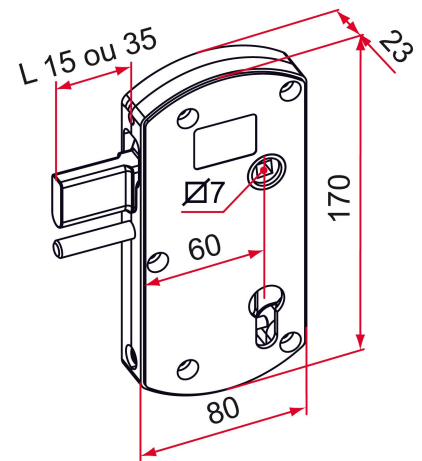


Tip

- Dressing accessories for this lock: - ABS monobloc housing - Zamak housing and zamak trim For fixing on stainless steel frame (metric thread screws), add M at the end of the code.

ATTENTION

- 15 mm length latch for gate. 35 mm length latch for small gate.



Products to be ordered from :
 TIRARD SAS 16, Avenue du Vimeu Vert Z.A. du Vimeu Industriel 80210
 FEUQUIERES-EN-VIMEU
 email : commande@tirard-burgaud.com

Possible applications include :



Swinging gate accessories



Référence	bolt L	Finish	GENCOD 3661598	Condit. par	Délai j
GB592003	15	black	01418 2	1	7
GB591003	15	white	01415 1	1	7
GB592002	35	black	01395 6	1	7
GB591002	35	white	01414 4	1	7

 Multi-RAL : specify your color when placing the order (<https://www.couleursral.fr/ral-classic>)