

Possible applications include :



Swinging gate accessories

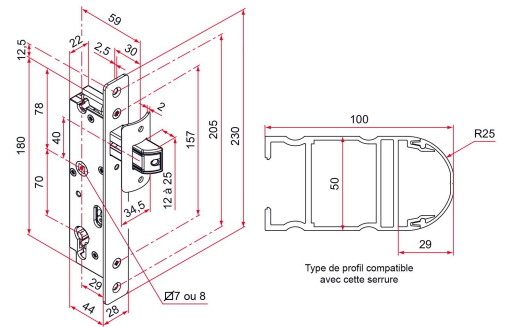


Features

- Composite lock case and 304 stainless steel faceplate. Reversible.



- For the colored versions, only the headplate is painted.



Products to be ordered from :
 TIRARD SAS 16, Avenue du Vimeu Vert Z.A. du Vimeu Industriel 80210
 FEUQUIERES-EN-VIMEU
 email : commande@tirard-burgaud.com



GK lock with recessed bolt - 59mm axis - square strike plate - for specific aluminum frame recessed installation.

Possible applications include :



Swinging gate accessories



Référence	Square spindle	Finish	GENCOD 3661598	Condit. par	Délai j
GK492004	7	9005-80%	04269 7	1	14
GK491004	7	9016-80%	04268 0	1	14
GK401004	7	brush	04267 3	1	7
GK4XX004	7		04276 5	1	21
GK492014	8	9005-80%	04272 7	1	14
GK491014	8	9016-80%	04271 0	1	14
GK401014	8	brush	04270 3	1	7
GK4XX014	8		04277 2	1	21

Multi-RAL : specify your color when placing the order (<https://www.couleursral.fr/ral-classic>)