

Possible applications include :



PVC and Aluminum wing shutter accessories



Hardware and woodwork

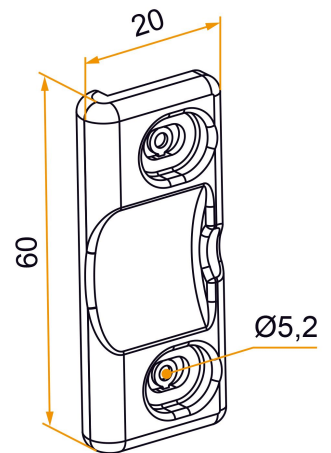


Sliding shutter accessories



Features

- In composite. Allows the shutter to be held in the open position without damaging the panel.



Products to be ordered from :  
 BURGAUD SAS 147, rue des Paludiers Z.I. des Mares 85270 SAINT-HILAIRE-DE-RIEZ  
 email : [commande@tirard-burgaud.com](mailto:commande@tirard-burgaud.com)

Possible applications include :



PVC and Aluminum wing shutter accessories



Hardware and woodwork



Sliding shutter accessories



Référence	Finish	GENCOD 3565920	Condit. par	Délai j
VEP001N53	black	20212 7	25	14
VEP001B68	white	20213 4	25	14

 Multi-RAL : specify your color when placing the order (<https://www.couleursral.fr/ral-classic>)