

Possible applications include :

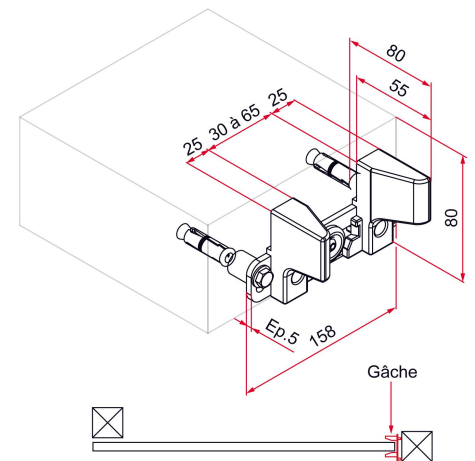


Sliding gate



Features

- Reversible Made of stainless steel and composite Supplied with screws and expansion plugs



Products to be ordered from :
 TIRARD SAS 16, Avenue du Vimeu Vert Z.A. du Vimeu Industriel 80210
 FEUQUIERES-EN-VIMEU
 email : commande@tirard-burgaud.com



Short strike plate - Thickness 5 - for offset posts or wall

Possible applications include :



Sliding gate



Référence	Finish	GENCOD 3661598	Condit. par	Délai j
NN401201	raw	04771 5	1	7

 Multi-RAL : specify your color when placing the order (<https://www.couleursral.fr/ral-classic>)