

Possible applications include :



Wooden wing shutter accessories



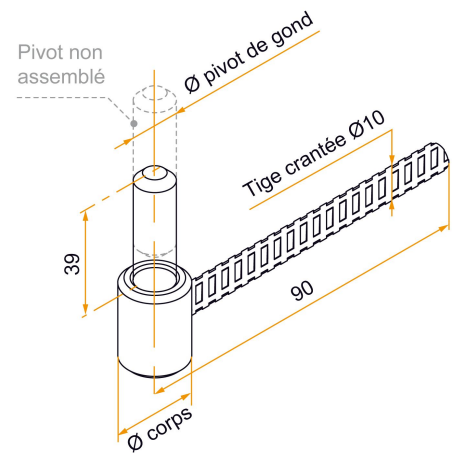
Features

- In steel Zn hinge body on all models for increased corrosion resistance
 - Crimped calibrated steel wire rod with: a chemical composition allowing for a robust and aesthetic weld between the rod and the hinge body
 - High mechanical strength (Rm)



Tip

- For drilling templates, please refer to the index.



Products to be ordered from :
 BURGAUD SAS 147, rue des Paludiers Z.I. des Mares 85270 SAINT-HILAIRE-DE-RIEZ
 email : commande@tirard-burgaud.com

Possible applications include :



Wooden wing shutter accessories



Référence	Ø hinge pin	Ø body	Finish	GENCOD 3565920	Condit. par	Délai j
GDA001N53	14	24	9005-30%	20262 2	25	14
GDA001Z53	14	24	ZN+9005-30%	20936 2	25	14
GDA001Z68	14	24	ZN+9016-80%	20937 9	25	21
GDA001ZB	14	24	Zn	20255 4	25	14
GDA002N53	16	26	9005-30%	20257 8	25	21
GDA002ZB	16	26	Zn	20256 1	25	14

 Multi-RAL : specify your color when placing the order (<https://www.couleursral.fr/ral-classic>)