

Possible applications include :



Garage door accessories



Wooden wing shutter accessories



PVC and Aluminum wing shutter accessories



Wing shutter and louver accessories



Sliding shutter accessories

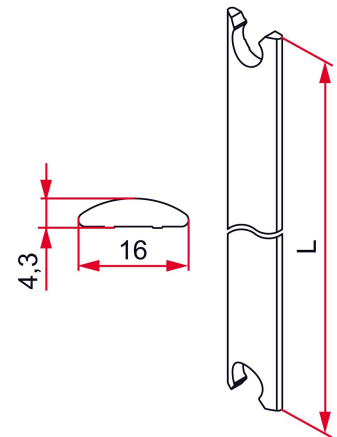


Menuiserie et agencement



Features

- Aluminium material
- Half-moon shape
- Punched at both ends



Products to be ordered from :
 TIRARD SAS 16, Avenue du Vimeu Vert Z.A. du Vimeu Industriel 80210
 FEUQUIERES-EN-VIMEU
 email : commande@tirard-burgaud.com

Possible applications include :



Garage door accessories



Wooden wing shutter accessories



PVC and Aluminum wing shutter accessories



Wing shutter and louver accessories



Sliding shutter accessories



Menuiserie et agencement



Référence	L	Finish	GENCOD 3661598	Condit. par	Délai j
ASU001N53	1600	9005-30%	04874 3	10	7
ASU001B68	1600	9016-80%	04940 5	10	7
ASU001B03	1600	9010-30%	04941 2	10	7
ASU002N53	2000	9005-30%	04943 6	10	7
ASU002B68	2000	9016-80%	04875 0	10	7
ASU002B03	2000	9010-30%	04944 3	10	7
ASU003N53	2500	9005-30%	04946 7	10	7
ASU003B68	2500	9016-80%	04947 4	10	7
ASU003B03	2500	9010-30%	04948 1	10	7
ASU003RAL	2500	multiRAL	04876 7	1	21

Multi-RAL : specify your color when placing the order (<https://www.couleursral.fr/ral-classic>)