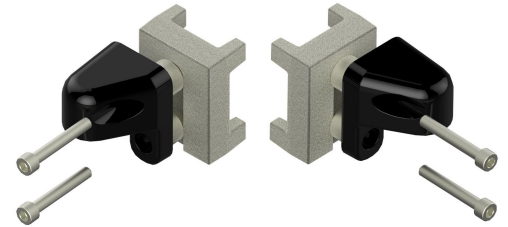


Possible applications include :



Swinging gate accessories



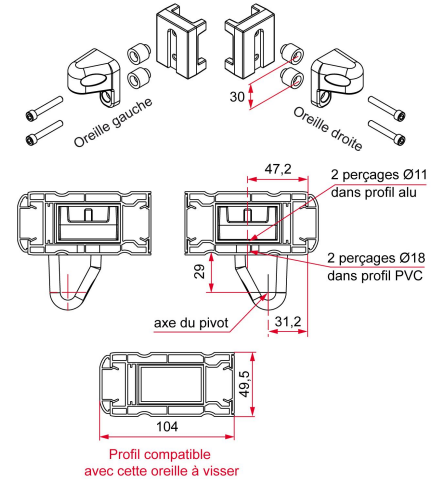
Features

- Aluminum ear Aluminum spacers and raw aluminum insert
- Composite anti-friction ring Ø12



Tip

- The screw-on ears with their fixing inserts are specific to certain integrated frame profiles on the market (please contact us). For a good hold of this joint on the leaf, it is imperative to install these ears with an insert in the integrated frame.

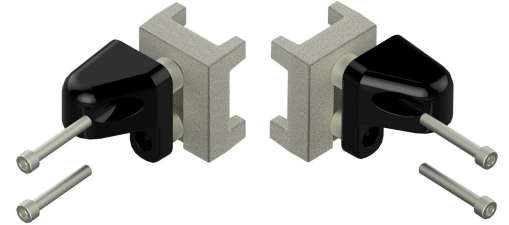


Products to be ordered from :
 TIRARD SAS 16, Avenue du Vimeu Vert Z.A. du Vimeu Industriel 80210
 FEUQUIERES-EN-VIMEU
 email : commande@tirard-burgaud.com

Possible applications include :



Swinging gate accessories



Référence	Ear	Finish	GENCOD 3661598	Condit. par	Délai j
NE692207	LEFT	9005-80%	04702 9	1	14
NE691207	LEFT	9016-80%	04703 6	1	14
NE619207	LEFT	raw	04701 2	1	7
NE692107	RIGHT	9005-80%	04705 0	1	14
NE691107	RIGHT	9016-80%	04706 7	1	14
NE619107	RIGHT	raw	04704 3	1	7

 Multi-RAL : specify your color when placing the order (<https://www.couleursral.fr/ral-classic>)