

Possible applications include :



Garage door accessories



Wooden wing shutter accessories



PVC and Aluminum wing shutter accessories



Wing shutter and louver accessories



Sliding shutter accessories

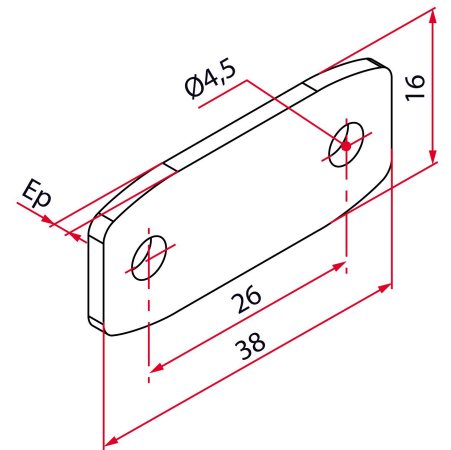


Menuiserie et agencement



Features

- Aluminum



Products to be ordered from :
 TIRARD SAS 16, Avenue du Vimeu Vert Z.A. du Vimeu Industriel 80210
 FEUQUIERES-EN-VIMEU
 email : commande@tirard-burgaud.com

Possible applications include :



Garage door accessories



Wooden wing shutter accessories



PVC and Aluminum wing shutter accessories



Wing shutter and louver accessories



Sliding shutter accessories



Menuiserie et agencement



Référence	Thickness	Finish	GENCOD 3661598	Condit. par	Délai j
AVU001N53	2	9005-30%	05100 2	100	14
AVU001B68	2	9016-80%	05107 1	100	14
AVU001B03	2	9010-30%	05108 8	100	14
AVU001RAL	2		05109 5	1	21
AVU002N53	4	9005-30%	05102 6	100	7
AVU002B68	4	9016-80%	05111 8	100	7
AVU002B03	4	9010-30%	05110 1	100	14
AVU002RAL	4		05112 5	1	21

Multi-RAL : specify your color when placing the order (<https://www.couleursral.fr/ral-classic>)