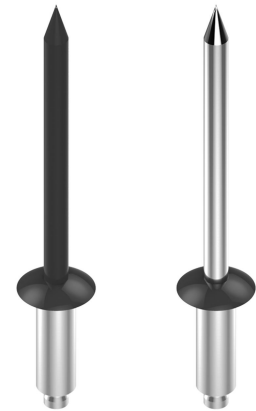


Possible applications include :



PVC and Aluminum
wing shutter
accessories



Clou peint

Clou brut

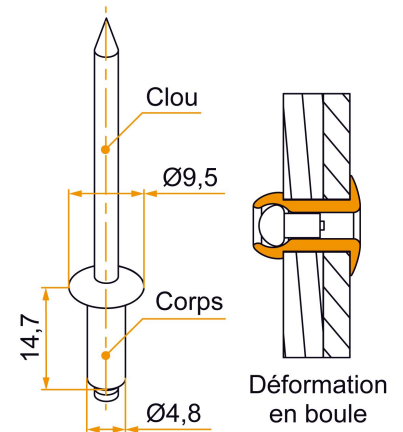
Features

- Aluminum body Painted or raw nail Crimping thickness: 7.9 to 9.5 mm



Tip

- "The "raw" finish of the nail will preserve the crimping nose of your machines. Keep that in mind."



Products to be ordered from :
BURGAUD SAS 147, rue des Paludiers Z.I. des Mares 85270 SAINT-HILAIRE-DE-RIEZ
email : commande@tirard-burgaud.com

Possible applications include :



PVC and Aluminum wing shutter accessories



Clou peint

Clou brut

Référence	Finish	Nail finish	GENCOD 3565920	Condit. par	Délai j
VIU006N53	9005-30%	painted	20971 3	100	14
VIU006B68	9016-80%	painted	20972 0	100	14
VIU006RAL		painted	20974 4	50	14
VIU007N53	9005-30%	raw	20975 1	100	14
VIU007B68	9016-80%	raw	20976 8	100	14
VIU007RAL		raw	20978 2	50	14

Multi-RAL : specify your color when placing the order (<https://www.couleursral.fr/ral-classic>)