

Possible applications include :



Wooden wing shutter accessories



PVC and Aluminum wing shutter accessories

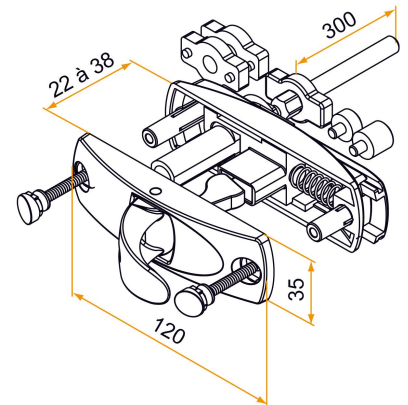


External thermal insulation



## Features

- Composite body Stainless steel 304 latch Stainless steel For shutters with thickness of 22 to 38 mm Metric pitch (expansion anchor screw or chemical anchoring)



Products to be ordered from :  
 BURGAUD SAS 147, rue des Paludiers Z.I. des Mares 85270 SAINT-HILAIRE-DE-RIEZ  
 email : [commande@tirard-burgaud.com](mailto:commande@tirard-burgaud.com)

Possible applications include :



Wooden wing shutter accessories



PVC and Aluminum wing shutter accessories



External thermal insulation



Référence	Finish	GENCOD 3565920	Condit. par	Délai j
ARP002SN53	black	20965 2	20	21
ARP002SB63	white	20964 5	20	21

Multi-RAL : specify your color when placing the order (<https://www.couleursral.fr/ral-classic>)