

Possible applications include :



Rolling shutter accessories



Menuiserie et agencement



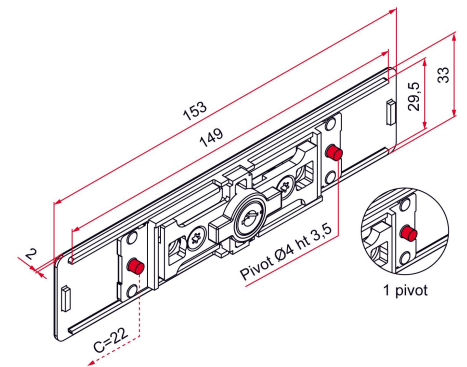
Features

- Drive pivots: Ø4 mm



Tip

- Possibility of master key system: add an S13 (key No. 13) or S57 (key No. 57) after the article code. Possibility to order replacement keys (ref. AQL001+key number) that are cut.



Products to be ordered from :
 TIRARD SAS 16, Avenue du Vimeu Vert Z.A. du Vimeu Industriel 80210
 FEUQUIERES-EN-VIMEU
 email : commande@tirard-burgaud.com



AA80 lock with security cylinder for blade thickness 7 to 9 - 1 short pivot H.3.5

Possible applications include :



Rolling shutter accessories



Menuiserie et agencement



Référence	Finish	GENCOD 3661598	Condit. par	Délai j
AAZ001N53	9005-30%	05266 5	1	7
AAZ001B68	9016-80%	05263 4	1	7
AAZ001RAL		05269 6	1	21

Multi-RAL : specify your color when placing the order (<https://www.couleursral.fr/ral-classic>)