

Possible applications include :



Rolling shutter accessories



Menuiserie et agencement



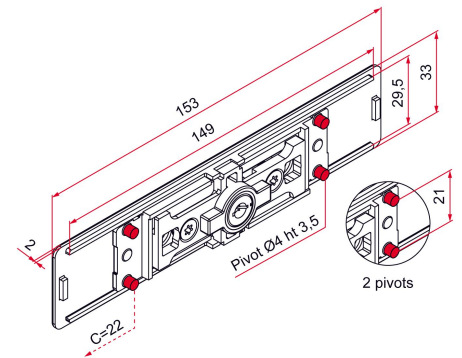
## Features

- Drive pivots:  $\varnothing 4$  mm



Tip

- Possibility of master key system: add an S13 (key No. 13) or S57 (key No. 57) after the article code. Possibility to order replacement keys (ref. AQL001+key number) that are cut.



Products to be ordered from :  
 TIRARD SAS 16, Avenue du Vimeu Vert Z.A. du Vimeu Industriel 80210  
 FEUQUIERES-EN-VIMEU  
 email : [commande@tirard-burgaud.com](mailto:commande@tirard-burgaud.com)



# AA80 lock with security cylinder for blade thickness 7 to 9 - 2 short pivots H.3,5

Possible applications include :



Rolling shutter accessories



Menuiserie et agencement



Référence	Finish	GENCOD 3661598	Condit. par	Délai j
AAZ002N53	9005-30%	05275 7	1	7
AAZ002B68	9016-80%	05272 6	1	7
AAZ002RAL		05278 8	1	21

Multi-RAL : specify your color when placing the order (<https://www.couleursral.fr/ral-classic>)