

Possible applications include :



Rolling shutter accessories



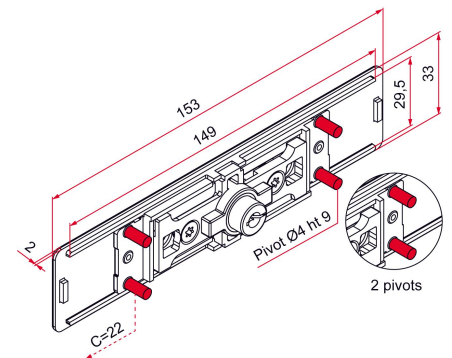
## Features

- Drive pivots: Ø4 mm



Tip

- Possibility of master key system: add an S13 (key No. 13) or S57 (key No. 57) after the article code. Possibility to order replacement keys (ref. AQL002+key number) that are cut.



Products to be ordered from :  
 TIRARD SAS 16, Avenue du Vimeu Vert Z.A. du Vimeu Industriel 80210  
 FEUQUIERES-EN-VIMEU  
 email : [commande@tirard-burgaud.com](mailto:commande@tirard-burgaud.com)



# AA80 lock with security cylinder for blade thickness 13 to 15 - 2 long pivots H.9

Possible applications include :



Rolling shutter accessories



Référence	Finish	GENCOD 3661598	Condit. par	Délai j
AAZ004N53	9005-30%	05303 7	1	7
AAZ004B68	9016-80%	05300 6	1	7
AAZ004RAL		05306 8	1	21

Multi-RAL : specify your color when placing the order (<https://www.couleursral.fr/ral-classic>)