

Possible applications include :



Rolling shutter accessories



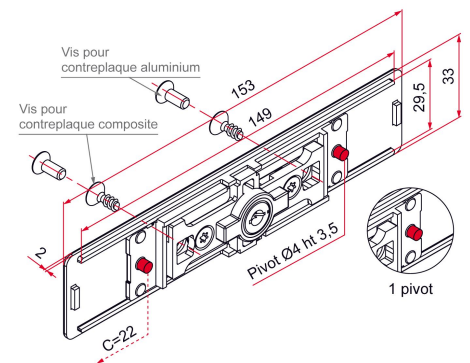
## Features

- 1 lock with drive pivots: Ø4 mm 2 screws for aluminum counterplate 2 screws for composite counterplate Supplied with screws



### Tip

- Possibility of master key system: add an S13 (key No. 13) or S57 (key No. 57) after the article code. Possibility to order replacement keys (ref. AQL001+key number) that are cut.



Products to be ordered from :  
 TIRARD SAS 16, Avenue du Vimeu Vert Z.A. du Vimeu Industriel 80210  
 FEUQUIERES-EN-VIMEU  
 email : [commande@tirard-burgaud.com](mailto:commande@tirard-burgaud.com)



# AA80 lock kit with security cylinder for blade thickness 7 to 9 - 1 short pivot H.3.5 - with screws.

Possible applications include :



Rolling shutter accessories



Référence	Finish	GENCOD 3661598	Condit. par	Délai j
AAZ001KN53	9005-30%	05287 0	1	7
AAZ001KB68	9016-80%	05286 3	1	7
AAZ001KRAL		05288 7	1	21

Multi-RAL : specify your color when placing the order (<https://www.couleursral.fr/ral-classic>)