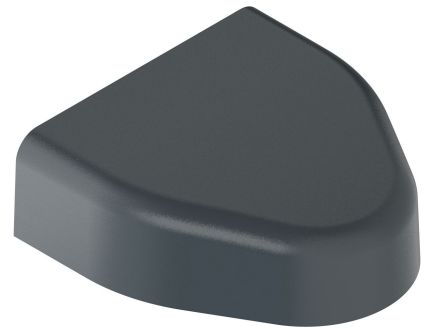


Possible applications include :

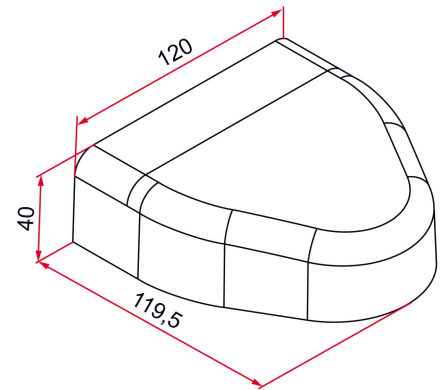


Swinging gate accessories



## Features

- Composition: 1 lacquered aluminum cover 1 fixing screw per cover

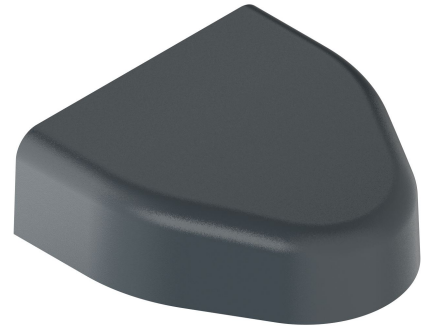



Products to be ordered from :  
 TIRARD SAS 16, Avenue du Vimeu Vert Z.A. du Vimeu Industriel 80210  
 FEUQUIERES-EN-VIMEU  
 email : [commande@tirard-burgaud.com](mailto:commande@tirard-burgaud.com)

Possible applications include :



Swinging gate accessories



Référence	Finish	GENCOD 3661598	Condit. par	Délai j
AQU003N53	9005-30%	05259 7	10	7
AQU003N58	9005-80%	05260 3	10	14
AQU003B63	9016-30%	05257 3	10	14
AQU003B68	9016-80%	05258 0	10	14
AQU003B03	9010-30%	05256 6	10	14
AQU003B08	9010-80%	05219 1	10	14
AQU003G7016S	7016-30%	05217 7	10	14
AQU003G7016G	7016-fine texture	05218 4	10	7
AQU003RAL		05261 0	1	21

 Multi-RAL : specify your color when placing the order (<https://www.couleursral.fr/ral-classic>)