

Possible applications include :

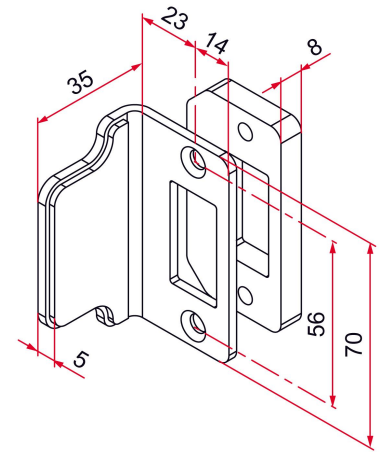


Swinging gate accessories



Features

- In stainless steel 304. Compatible with all GK locks.



Products to be ordered from :
 TIRARD SAS 16, Avenue du Vimeu Vert Z.A. du Vimeu Industriel 80210
 FEUQUIERES-EN-VIMEU
 email : commande@tirard-burgaud.com



GK stop with protection for gate with profile thickness up to 46mm

Possible applications include :



Swinging gate accessories



Référence	Finish	Wedge color	GENCOD 3661598	Condit. par	Délai j
AQA001N53	9005-80%	black	05343 3	10	14

Multi-RAL : specify your color when placing the order (<https://www.couleursral.fr/ral-classic>)