

Possible applications include :

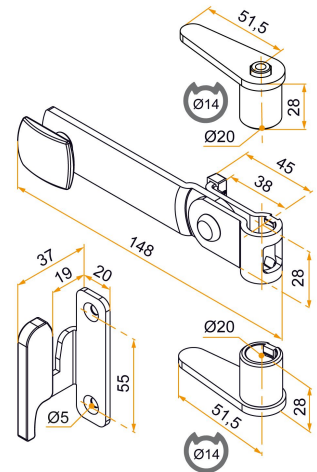


PVC and Aluminum
wing shutter
accessories



Features

- Bag composition: Romantic top end in aluminum, Romantic bottom end in aluminum, Épure handle in aluminum, Épure handle support - 2 fixing points - aluminum.



Products to be ordered from :
BURGAUD SAS 147, rue des Paludiers Z.I. des Mares 85270 SAINT-HILAIRE-DE-RIEZ
email : commande@tirard-burgaud.com

Possible applications include :



PVC and Aluminum wing shutter accessories



Référence	Finish	Composite part	GENCOD 3565920	Condit. par	Délai j
ESU016N53	9005-30%	black	21288 1	25	14
ESU016B68	9016-80%	white	21289 8	25	14
ESU016ANRAL		black	21292 8	1	14
ESU016ABRAL		white	21293 5	1	14

 Multi-RAL : specify your color when placing the order (<https://www.couleursral.fr/ral-classic>)