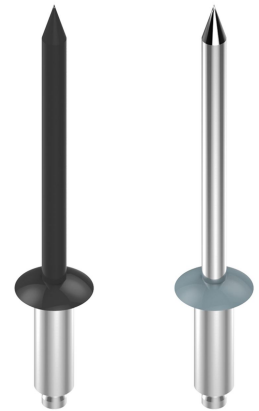


Possible applications include :



PVC and Aluminum
wing shutter
accessories



Clou peint

Clou brut

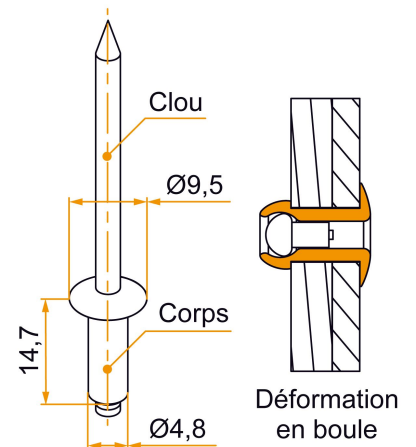
Features

- Aluminum body Painted or raw nail Crimping thickness: 7.9 to 9.5 mm



Tip

- "The "raw" finish of the nail will preserve the crimping nose of your machines. Keep that in mind."



Products to be ordered from :
BURGAUD SAS 147, rue des Paludiers Z.I. des Mares 85270 SAINT-HILAIRE-DE-RIEZ
email : commande@tirard-burgaud.com

Possible applications include :



PVC and Aluminum
wing shutter
accessories



Référence	Finish	Nail finish	GENCOD 3565920	Condit. par	Délai j
3VI92002	9005-30%	painted	18038 8	100	14
3VI91002	9016-80%	painted	18039 5	100	14
3VI92002RAL		painted	12098 8	50	14
VIU003N53	9005-30%	raw	21358 1	100	14
VIU003B68	9016-80%	raw	21359 8	100	14
VIU003RAL		raw	20028 4	50	14

Multi-RAL : specify your color when placing the order (<https://www.couleursral.fr/ral-classic>)