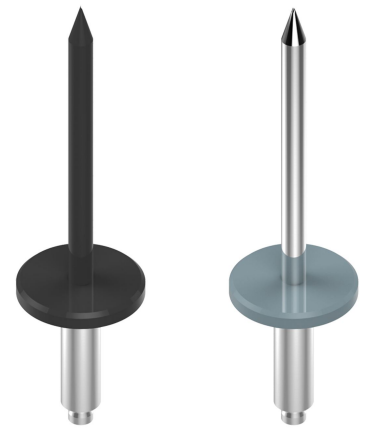


Possible applications include :



PVC and Aluminum wing shutter accessories



Clou peint

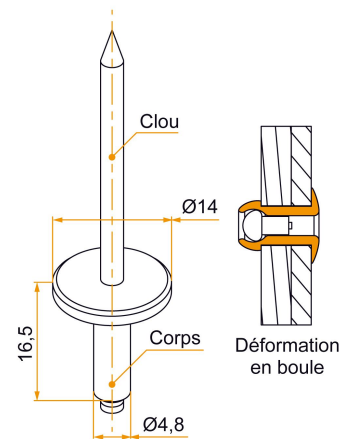
Clou brut

Features

- Aluminum body Painted or raw nail Crimping thickness: 9.5 to 11.1 mm



- "The "raw" finish of the nail will preserve the crimping nose of your machines. Keep that in mind."



Products to be ordered from :
BURGAUD SAS 147, rue des Paludiers Z.I. des Mares 85270 SAINT-HILAIRE-DE-RIEZ
email : commande@tirard-burgaud.com

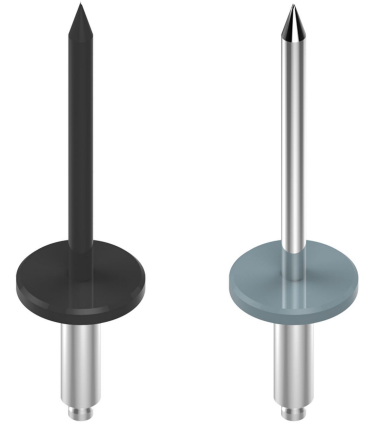


Blind rivet with wide head and steel nail - Ø4.8xL.16.5

Possible applications include :



PVC and Aluminum
wing shutter
accessories



Clou peint

Clou brut

Référence	Finish	Nail finish	GENCOD 3565920	Condit. par	Délai j
3VI90003	9010-30%	painted	13195 3	100	14
3VI92004RAL		painted	12965 3	50	14
VIU001RAL		raw	20026 0	50	14

Multi-RAL : specify your color when placing the order (<https://www.couleursral.fr/ral-classic>)