

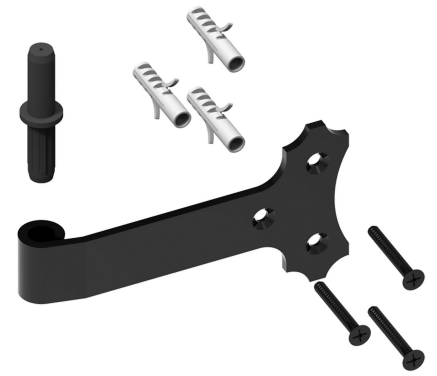
Possible applications include :



PVC and Aluminum wing shutter accessories

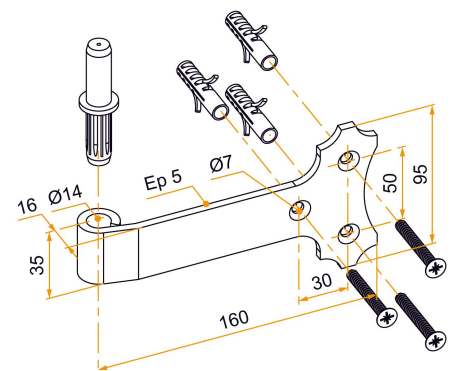


External thermal insulation



Features

- In aluminum Composition: 1 decorative hinge 1 composite axis - Ø14 3 FZ screws - Ø6.3xL.50 - stainless steel 3 composite plugs



Products to be ordered from :
BURGAUD SAS 147, rue des Paludiers Z.I. des Mares 85270 SAINT-HILAIRE-DE-RIEZ
email : commande@tirard-burgaud.com

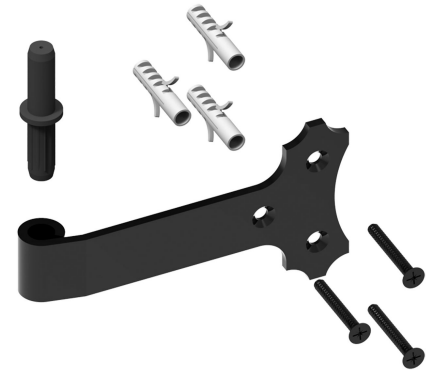
Possible applications include :



PVC and Aluminum wing shutter accessories



External thermal insulation



Référence	Finish	Composite part	GENCOD 3565920	Condit. par	Délai j
3GD92012AX	9005-30%	noir	20272 1	25	14
3GD92012AXRAL		noir	21034 4	1	14

Multi-RAL : specify your color when placing the order (<https://www.couleursral.fr/ral-classic>)