

Possible applications include :



Swinging gate accessories

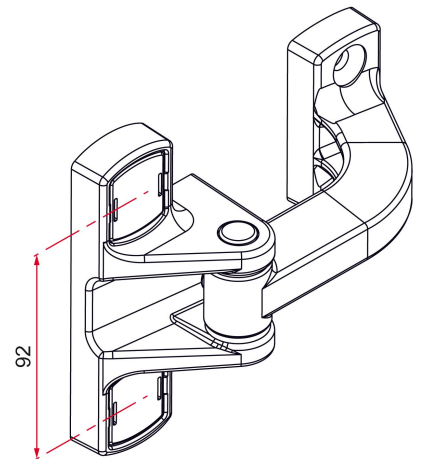


## Features

- Stainless steel 304

## ATTENTION

- The raw parts must be painted.



Products to be ordered from :  
 TIRARD SAS 16, Avenue du Vimeu Vert Z.A. du Vimeu Industriel 80210  
 FEUQUIERES-EN-VIMEU  
 email : [commande@tirard-burgaud.com](mailto:commande@tirard-burgaud.com)

Possible applications include :



Swinging gate accessories



Référence	Finish	Composite part	GENCOD 3661598	Condit. par	Délai j
GDN020N53	9005-30%	black	05444 7	1	21
GDN020B68	9016-80%	white	05473 7	1	21
GDN020B63	9016-30%	white	05443 0	1	21
GDN020B03	9010-30%	white	05496 6	1	21
GDN020G7016FT	7016-fine texture	gray	05445 4	1	21
GDN020	raw	gray	05442 3	1	7
GDN020RAL		black	05446 1	1	21

Multi-RAL : specify your color when placing the order (<https://www.couleursral.fr/ral-classic>)