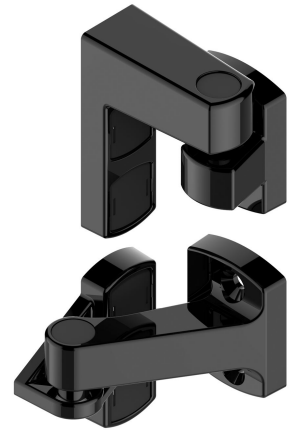


Possible applications include :



Swinging gate accessories

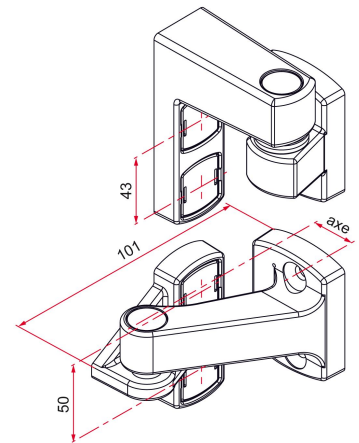


Features

- Stainless steel 304

ATTENTION

- The raw parts must be painted.

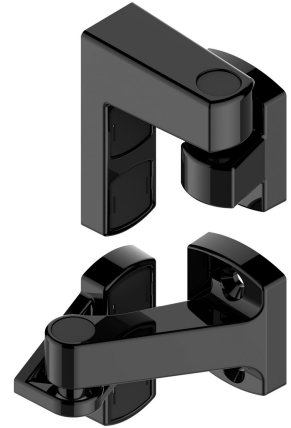



Products to be ordered from :
 TIRARD SAS 16, Avenue du Vimeu Vert Z.A. du Vimeu Industriel 80210
 FEUQUIERES-EN-VIMEU
 email : commande@tirard-burgaud.com

Possible applications include :



Swinging gate accessories



Référence	Finish	Composite part	GENCOD 3661598	Condit. par	Délai j
GDN012N53	9005-30%	black	05458 4	1	21
GDN012B68	9016-80%	white	05471 3	1	21
GDN012B63	9016-30%	white	05457 7	1	21
GDN012B03	9010-30%	white	05494 2	1	21
GDN012G7016FT	7016-fine texture	gray	05459 1	1	21
GDN012	raw	gray	05456 0	1	7
GDN012RAL		black	05460 7	1	21

 Multi-RAL : specify your color when placing the order (<https://www.couleursral.fr/ral-classic>)