

Possible applications include :

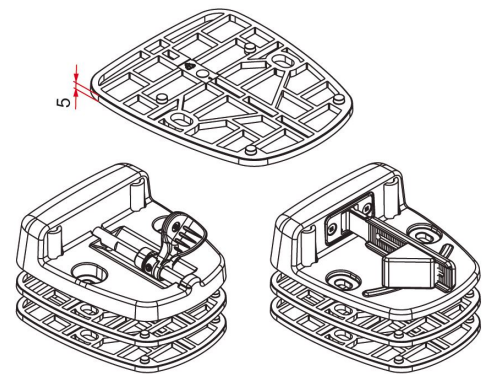


Swinging gate accessories



## Features

- 5mm composite shim Allows for adjusting the height of the shoe Addition of a maximum of two shims Plugs to prevent slipping and ensure stacking of shims



Products to be ordered from :  
 TIRARD SAS 16, Avenue du Vimeu Vert Z.A. du Vimeu Industriel 80210  
 FEUQUIERES-EN-VIMEU  
 email : [commande@tirard-burgaud.com](mailto:commande@tirard-burgaud.com)

Possible applications include :



Swinging gate accessories



Référence	Finish	GENCOD 3661598	Condit. par	Délai j
AQP002N	black	05581 9	10	7

 Multi-RAL : specify your color when placing the order (<https://www.couleursral.fr/ral-classic>)