

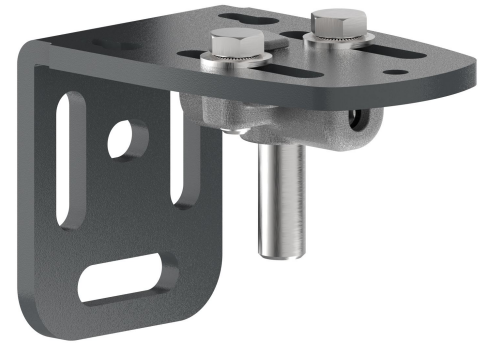
Possible applications include :



Swinging gate accessories

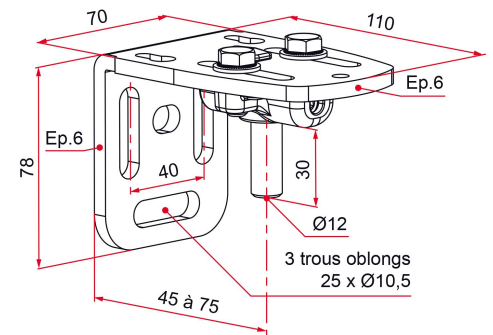


Menuiserie et agencement



Features

- In galvanized steel. Pivot Ø12 and stainless steel screws.



Products to be ordered from :
 TIRARD SAS 16, Avenue du Vimeu Vert Z.A. du Vimeu Industriel 80210
 FEUQUIERES-EN-VIMEU
 email : commande@tirard-burgaud.com

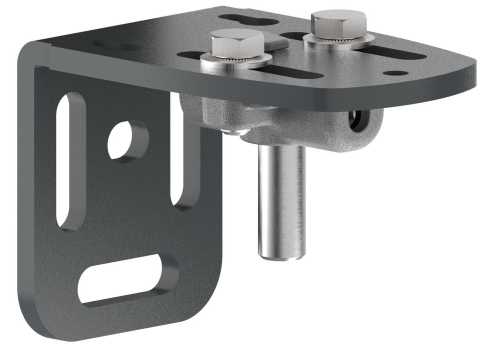
Possible applications include :




Swinging gate accessories



Menuiserie et agencement



Référence	Finish	GENCOD 3661598	Condit. par	Délai j
GDA025N58	9005-80%	05813 1	10	14
GDA025B68	9016-80%	05809 4	10	14
GDA025R7016S	7016-30%	05811 7	10	14
GDA025G7016FT	7016-fine texture	05869 8	10	14
GDA025RAL		05812 4	1	21

 Multi-RAL : specify your color when placing the order (<https://www.couleursral.fr/ral-classic>)