

Possible applications include :

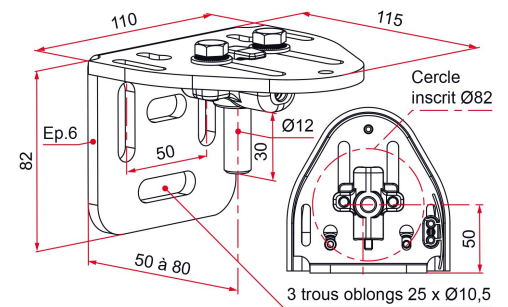


Swinging gate accessories



Features

- In galvanized steel Pivot Ø12 and stainless steel screws
- Compatible with the set of 2 masking profiles and the set of 2 fixing clips




Products to be ordered from :
 TIRARD SAS 16, Avenue du Vimeu Vert Z.A. du Vimeu Industriel 80210
 FEUQUIERES-EN-VIMEU
 email : commande@tirard-burgaud.com

Possible applications include :



Swinging gate accessories



Référence	Finish	GENCOD 3661598	Condit. par	Délai j
GDA027N58	9005-80%	05821 6	10	14
GDA027B68	9016-80%	05820 9	10	14
GDA027R7016S	7016-30%	05822 3	10	14
GDA027G7016FT	7016-fine texture	05873 5	10	14
GDA027RAL		05824 7	1	21

 Multi-RAL : specify your color when placing the order (<https://www.couleursral.fr/ral-classic>)