

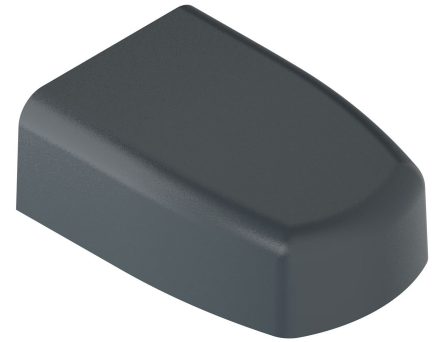
Possible applications include :



Swinging gate accessories

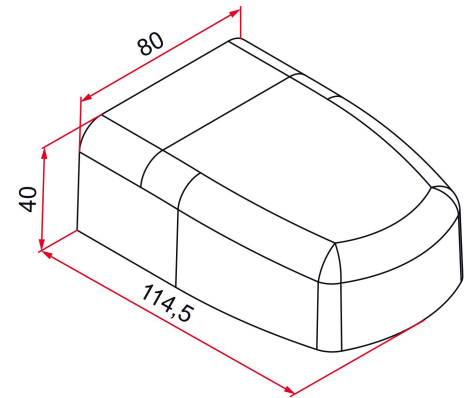


Menuiserie et agencement



Features

- Composition: 1 lacquered aluminum cover 1 fixing screw per cover



Products to be ordered from :
 TIRARD SAS 16, Avenue du Vimeu Vert Z.A. du Vimeu Industriel 80210
 FEUQUIERES-EN-VIMEU
 email : commande@tirard-burgaud.com

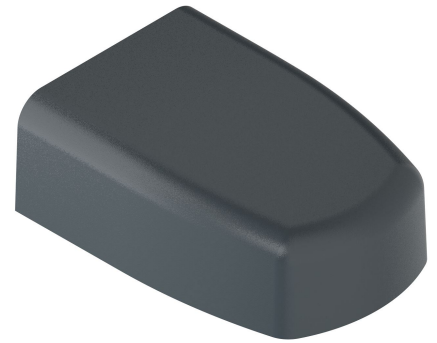
Possible applications include :




Swinging gate accessories



Menuiserie et agencement



Référence	Finish	GENCOD 3661598	Condit. par	Délai j
AQU009N58	9005-80%	05783 7	10	14
AQU009B68	9016-80%	05781 3	10	14
AQU009R7016S	7016-30%	05782 0	10	14
AQU009G7016FT	7016-fine texture	05874 2	10	14
AQU009RAL		05784 4	1	21

 Multi-RAL : specify your color when placing the order (<https://www.couleursral.fr/ral-classic>)