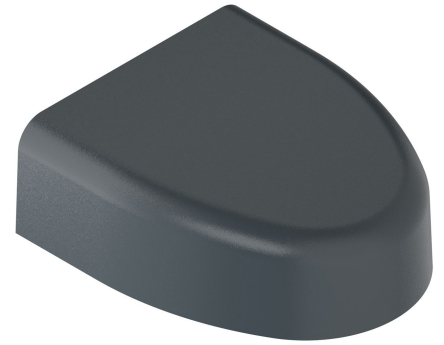


Possible applications include :

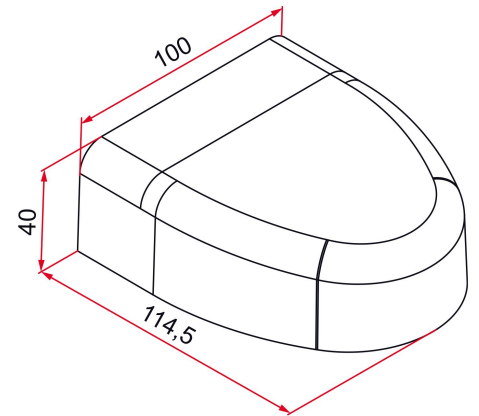


Swinging gate accessories



Features

- Composition: 1 lacquered aluminum cover 1 fixing screw per cover

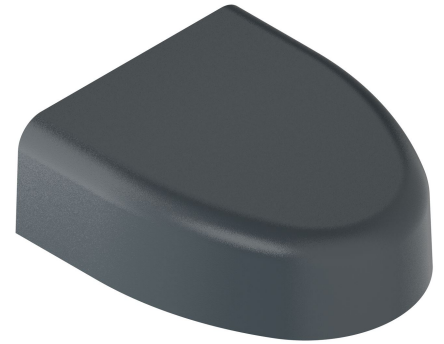



Products to be ordered from :
 TIRARD SAS 16, Avenue du Vimeu Vert Z.A. du Vimeu Industriel 80210
 FEUQUIERES-EN-VIMEU
 email : commande@tirard-burgaud.com

Possible applications include :



Swinging gate accessories



Référence	Finish	GENCOD 3661598	Condit. par	Délai j
AQU008N58	9005-80%	05788 2	10	14
AQU008N5FT	9005-fine texture	05976 3	10	14
AQU008B68	9016-80%	05786 8	10	14
AQU008R7016S	7016-30%	05787 5	10	14
AQU008G7016FT	7016-fine texture	05875 9	10	14
AQU008RAL		05789 9	1	21

 Multi-RAL : specify your color when placing the order (<https://www.couleursral.fr/ral-classic>)