

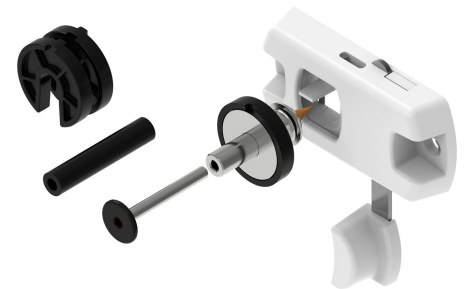
Possible applications include :



Wooden wing shutter accessories

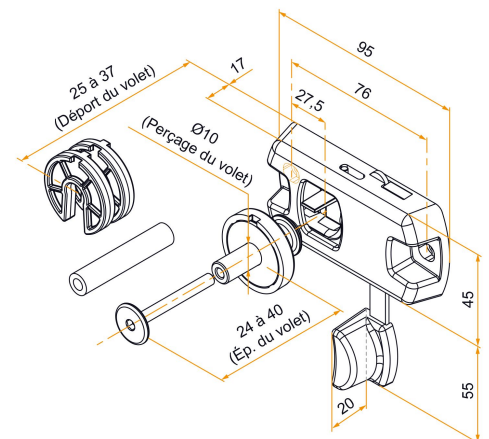


PVC and Aluminum wing shutter accessories



Features

- Composition of the wall part: 1 composite housing 1 composite button 1 stainless steel 304 arm 1 stainless steel 304 locking pin
 Composition of the panel part: 1 stainless steel 304 stop pin 1 composite anti-crushing spacer 2 composite shims 1 elastomer washer 1 stainless steel 304 washer 1 wooden pencil 1 adjustable stainless steel 304 screw



Products to be ordered from :
 BURGAUD SAS 147, rue des Paludiers Z.I. des Mares 85270 SAINT-HILAIRE-DE-RIEZ
 email : commande@tirard-burgaud.com

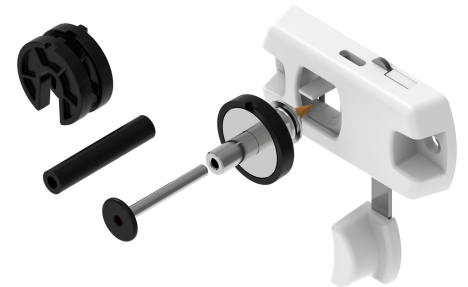
Possible applications include :



Wooden wing shutter accessories



PVC and Aluminum wing shutter accessories



Référence	Wall finish	Panel finish	Composite part of the panel	GENCOD 3565920	Condit. par	Délai j
ARP005N53	noir	9005-30%	noir	21693 3	30	14
ARP005ABN53	blanc	9005-30%	noir	22194 4	30	14
ARP005AGN53	gris (type RAL 7038)	9005-30%	noir	22195 1	30	14
ARP005APN53	ton pierre (type RAL 1015)	9005-30%	noir	22196 8	30	14

 Multi-RAL : specify your color when placing the order (<https://www.couleursral.fr/ral-classic>)